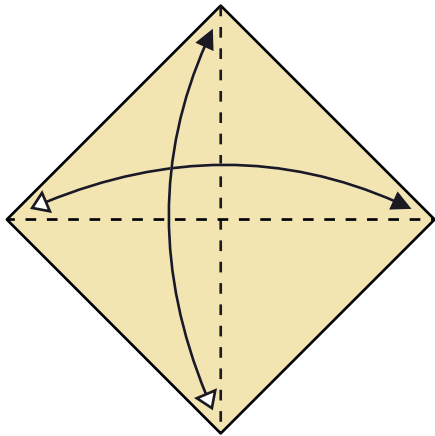


Bowhead Whale

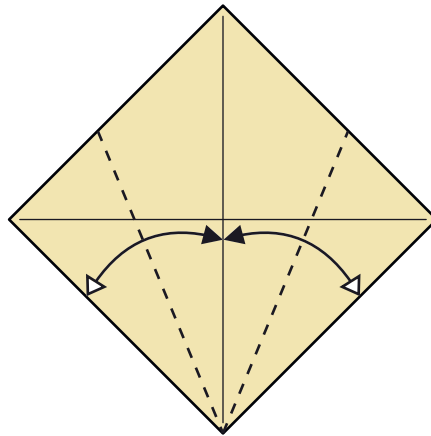
Bowhead whales are the largest Arctic marine mammals, but eat tiny copepods and krill. They can live for 200 years, and sing complex songs under the ice in winter. They are slowly recovering from centuries of commercial whaling.

Neil Banas, 2024

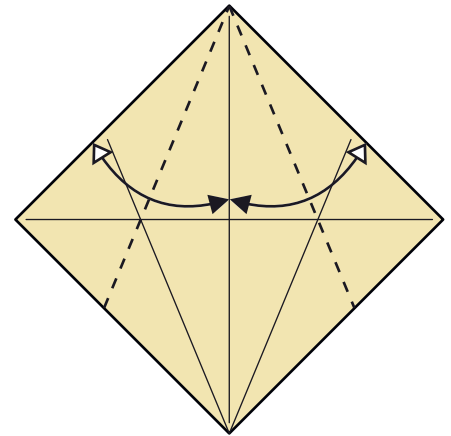
Diagrammed by
Peter Buchan-Symons



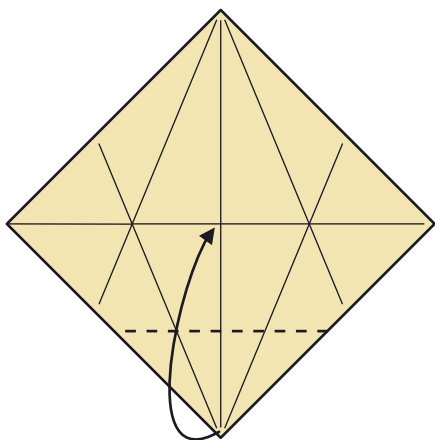
1. Fold and unfold the diagonals.



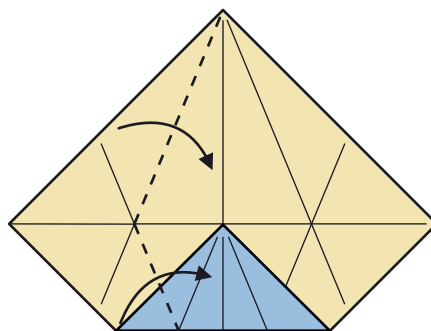
2. Fold the lower edges to the vertical crease, then unfold.



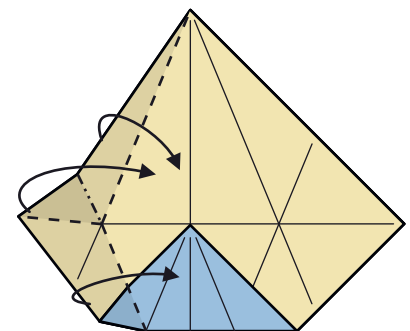
3. Fold the upper edges to the vertical crease, then unfold.



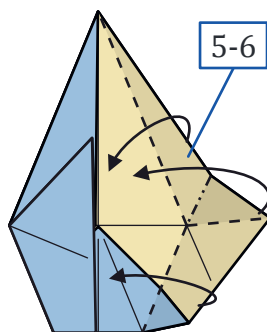
4. Fold the bottom raw corner to the centre.



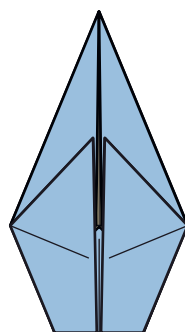
5. Start refolding the top and bottom creases on the left half of the square, as shown.



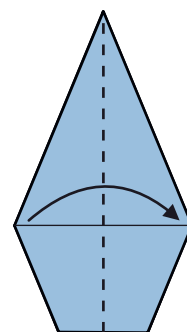
6. Pinch the horizontal crease on the left and flatten the corner upwards.



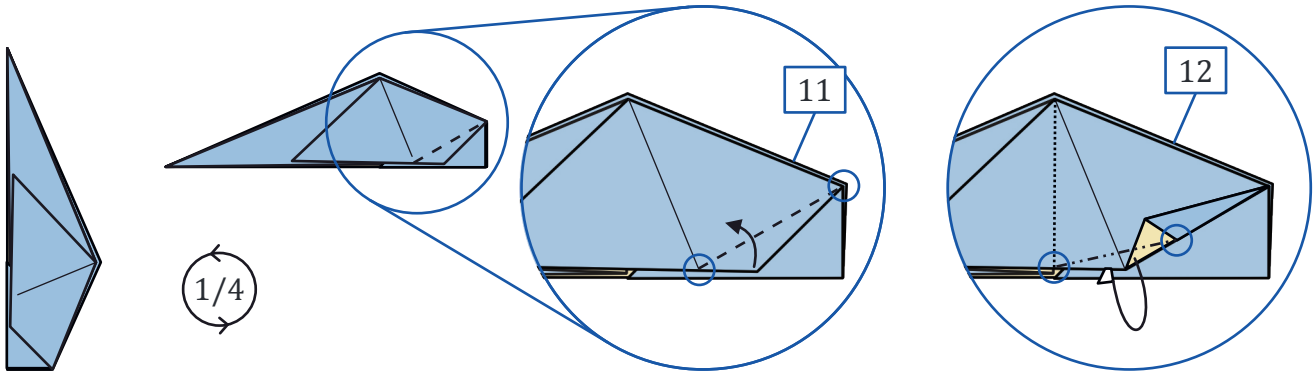
7. Repeat steps 5 and 6 on the right.



8. Turn the paper over.



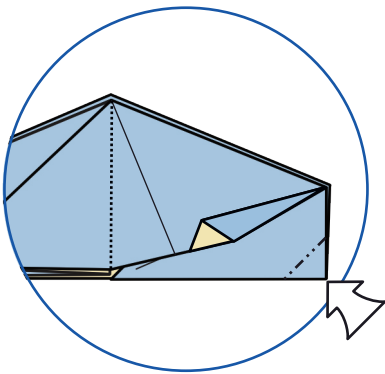
9. Fold the left half onto the right half.



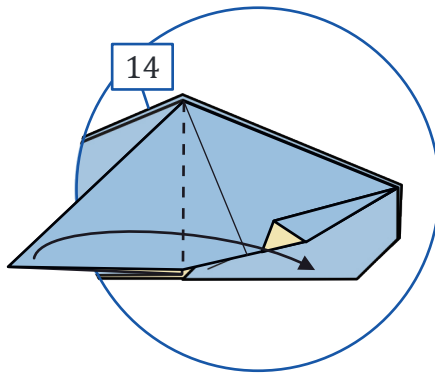
10. Rotate the paper anticlockwise $\frac{1}{4}$ of a turn.

11. Fold the corner up. Repeat behind.

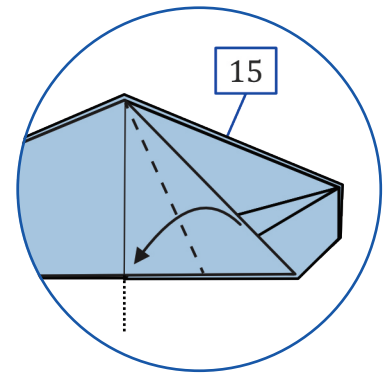
12. Mountain-fold the corner underneath. Repeat behind.



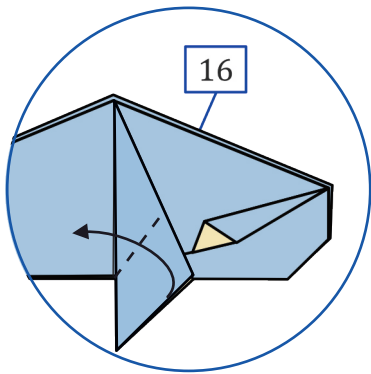
13. Reverse-fold the corner in.



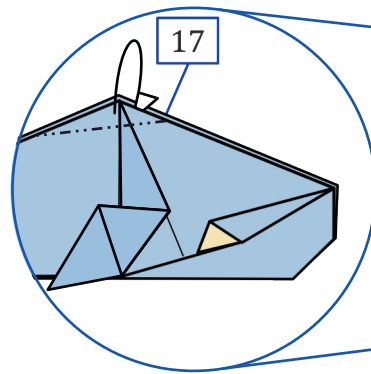
14. Fold the triangular flap to the right. Repeat behind.



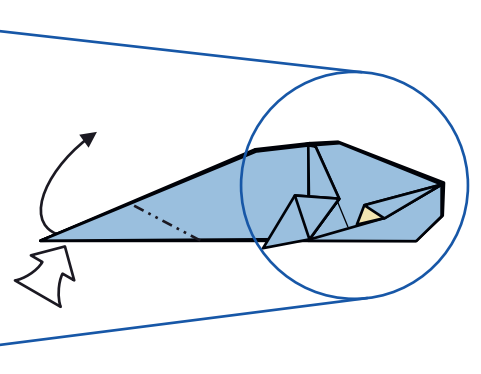
15. Fold the corner down so that the folded edge becomes vertical and lies along the crease shown.



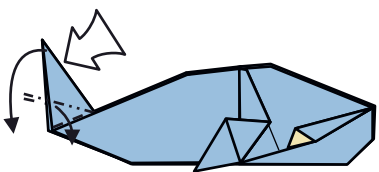
16. Fold the corner up and to the left to make the flipper.



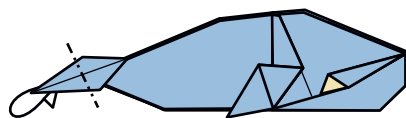
17. Mountain-fold the top corner inside at an angle. Repeat behind.



18. Reverse-fold the corner on the left upwards.



19. Squash-fold the corner to make a flat tail.



20. Mountain-fold the tip underneath.

